



# ES10-10CA

## Electric Stacker 1.0t

Counterbalance Stackers, Better for Non-standardized Pallets.

EP EQUIPMENT CO.,LTD  
[www.ep-ep.com](http://www.ep-ep.com)



## FEATURE



### Performance

- The innovative AC system offers strong power, accurate control, excellent performance.
- High strength vertical gearbox, longer working life.
- Low-noise but durable hydraulic unit, good quality cylinder as well as hose ensure the high reliability of hydraulic system.
- AMP connector and durable electric wires greatly reduce malfunctions of components.
- High strength chassis enhances the reliability and durability of the truck.
- Standard featured tilt mast cylinder design and controller monitoring the tilt speed smoothly and ensures safe performance.
- Heavy duty load wheel ensures stability.
- Compact design with small turning radius requirements.



### Safety

- Safe hydraulic system design prevents mast from falling down abruptly when hydraulic pipeline cuts off.
- Emergency reverse belly button protects the operator from getting hurt.
- Emergency disconnecter will cut off power source to avoid accident when truck goes out of control.
- Multiple lifting limit protection ensures safety.
- Automatic switch to lower speed when the fork reaches its setting height.
- Anti-rolling back brake keeps the truck from skidding down when truck is out of control or travelling on ramp.
- Long aside tiller reduces operator's hazards.

### Operation

- With the new design of ergonomical tiller head, all buttons can be reached conveniently & comfortably.
- Long tiller reduces steering force greatly.
- Adjustable forks, suitable for complicated pallets or cargos.
- Tilting as standard configuration, make operation easier.
- Side-open battery design for easy battery replacement and various applications.

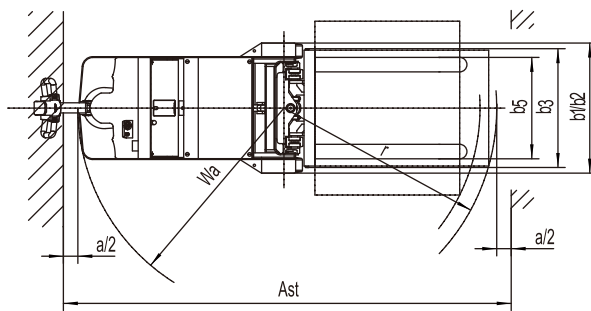
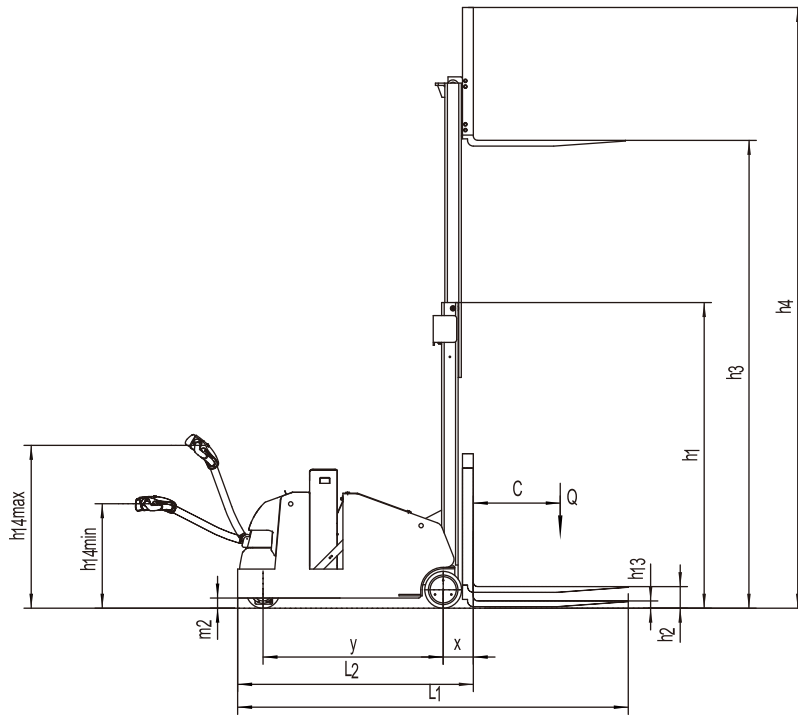
### Maintenance

- AC traction motor, maintenance free.
- Hour meter and battery indicator will remind the operator to recharge the battery.
- Easily remove the back cover by only loosening four bolts; Access to all key components for inspection, maintenance and replacement.
- Press-on load wheel reduces the maintenance cost.
- Vertical motor makes the inspection & service much more convenient.
- Control system allows easy trouble-shooting.
- Mast and chassis are assembled together, easy for maintenance.
- Low voltage cut off setting protects batteries.

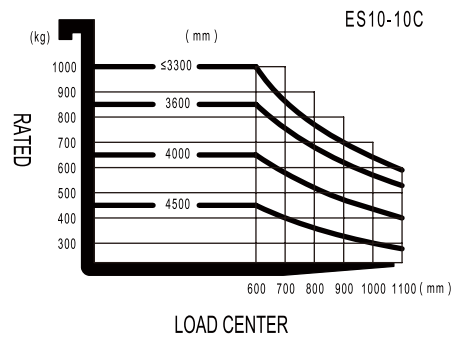
# Electric Stacker 1.0t ES10-10CA

Distinguishing mark			
1.1	Manufacturer		EP
1.2	Model designation		ES10-10CA
1.3	Drive unit		Electric
1.4	Type of operation		pedestrian
1.5	Rated capacity	Q	kg
1.6	Load center distance	c	mm
1.8	Load distance , centre of drive axle to fork	x	mm
1.9	Wheelbase	y	mm
Weight			
2.1	Service weight ( include battery )		kg
2.2	Axle loading, laden driving side/loading side		kg
2.3	Axle loading, unladen driving side/loading side		kg
Types,Chassis			
3.1	Tyre type Driving wheels/Loading wheels		polyurethane/ polyurethane
3.2	Tyre size, driving wheels ( diameter×width )	mm	Φ230× 75
3.3	Tyre size, loading wheels ( diameter×width )	mm	Φ254×102
3.4	Tyre size, caster wheels ( diameter×width )	mm	
3.5	Wheels, number driving , caster/loading (x=drive wheels)	mm	1x , 0/2
3.6	Track width, front,driving side	b <sub>10</sub>	mm
3.7	Track width,rear,loading side	b <sub>11</sub>	mm
Dimensions			
4.1	Tilt of mast/fork carriage forward/backward	α/β	°
4.2	Height, mast lowered	h <sub>1</sub>	mm
4.3	Free lift	h <sub>2</sub>	mm
4.4	Lift height	h <sub>3</sub>	mm
4.5	Height, mast extended	h <sub>4</sub>	mm
4.9	Height drawbar in driving position min./max.	h <sub>14</sub>	mm
4.10	Height of wheel arms	h <sub>8</sub>	mm
4.15	Lowered height	h <sub>13</sub>	mm
4.19	Overall length	l <sub>1</sub>	mm
4.20	Length to face of forks	l <sub>2</sub>	mm
4.21	Overall width	b <sub>1</sub> / b <sub>2</sub>	mm
4.22	Fork dimensions	s/ e/ l	mm
4.24	Fork carriage width	b <sub>3</sub>	mm
4.25	Distance between fork-arms	b <sub>5</sub>	mm
4.31	Ground clearance, laden, below mast	m <sub>1</sub>	mm
4.32	Ground clearance, center of wheelbase	m <sub>2</sub>	mm
4.34.1	Aisle width for pallets 1000 × 1200 crossways	Ast	mm
4.34.2	Aisle width for pallets 800 × 1200 lengthways	Ast	mm
4.35	Turning radius	Wa	mm
Performance data			
5.1	Travel speed, laden/ unladen	km/ h	4.5/5.0
5.2	Lifting speed, laden/ unladen	m/ s	0.127/0.23
5.3	Lowering speed, laden/ unladen	m/ s	0.26/0.2
5.8	Max. gradeability, laden/unladen	%	5.0/8.0
5.10	Service brake type		Electromagnetic
Electric-engine			
6.1	Drive motor rating S2 60 min	kW	1.1
6.2	Lift motor rating at S3 15%	kW	2.2
6.3	The maximum allowed size battery	mm	680/230/open
6.4	Battery voltage/nominal capacity K5	V/ Ah	24/224
6.5	Battery weight	kg	160
Addition data			
8.1	Type of drive unit		AC
10.5	Steering type		Mechanical
10.7	Sound pressure level at the driver's ear		74

- 1.The parameters in the table are of the standard model. For more information, please contact us.
- 2.The parameters are subject to change without notice.



**RATED CAPACITIES GRAPH**



**Mast Option**

mast types	Lift h3+h13 (mm)	Lowered mast height h1	Free lift h2 (mm)	Extended mast height h4
Duplex ZT	2470	1710	150	3385
	2670	1810	150	3585
	2970	1960	150	3885
	3270	2110	150	4185
	3570	2260	150	4485
	3870	2410	150	4785
Duplex ZZ	2660	1819	904	3585
	2960	1969	1054	3885
	3260	2119	1204	4185
Triplex DZ	4000	1822	904	4915
	4500	2022	1104	5415

**Option**

Option	ES10-10CA
Standard Fork length	●850/1000/1300/1450
mast screen	●organic glass
High capacity battery	●270Ah (with battery cover)
lateral battery change	●
cold storage	●
battery indicator without hour meter	●
proportional lifting	●
Vertical handler working	●
side shift	●
auto-filling water system	●